



MOBILE LED VIDEO WALLS

# 15' x 8' Mobile LED Video Walls

## SPECIFICATIONS

### Physical:

**Screen Height:** 21'-9" H Max (to top)

**Min Height:** 12'-0" H Min (to top)

**Entry Dims:** 12'-0" H x 8'-0" W  
10'-7" w/o Tongue  
14'-7" with Tongue

**Mast System:** Hydraulic Elevation  
Manual 360° Rotation  
Stop Points Every 10°

**Weight:** 8,800 lbs.

**Wind Rating:** 35 mph

### LED Display:

**Size:** 14'-9" X 7'-11"

**Resolution:** 728px x 390px

**Aspect Ratio:** ~16:9

**Technology:** 6mm SMD

**Luminance:** 6500 nits (direct sunlight)

**Viewing Angle:** 160° Maximum

**Ingress Rating:** IP67

### Electronics Package:

**Inputs:** HDMI  
DVI-D/DVI-A  
HDSI  
HD15 (VGA)  
Comp RGB/RGBHV

**Media Player:** Stills and/or Video

**Scaler:** HD or SD Signals  
TV or PC Resolutions  
Seamless Switching

*Contact us for more connectivity and transmission options including Sound and Wireless Video Links.*

### Shore Power Option:

**Service:** 30A Single Ø 125/250V

**Wiring:** L1 + L2 + Neutral + Ground

**Cabling:** Up to 150'

**Connectors:** 430P12W Pin & Sleeve  
30A L14-30 Twist-Lock  
30A 14-30 "Dryer Plug"  
50A 14-50 "RV /Stove"

### Generator Option:

**Configuration:** Fully Integrated

**Transfer:** Manual Switch

**Run Time:** 30 Hours (Typical)

**Fuel Capacity:** 20 Gallons

### Static Banner Areas:

**Side Wings:** 2' x 8' or 1' x 8' Config

*Coordinate your content formatting with us for ideal viewing.*



Control Point Technology

10 Lebanon Valley Parkway, Lebanon, PA 17042 | **ph:** 717.769.5358 | **fx:** 717.389.3333

**web:** [www.control-point.com](http://www.control-point.com) | **email:** [solutions@control-point.com](mailto:solutions@control-point.com)





MOBILE LED VIDEO WALLS

# 15' x 8' Mobile LED Video Walls

## SPECIFICATIONS

### Physical:

**Screen Height:** 21'-9" H Max (to top)

**Min Height:** 12'-0" H Min (to top)

**Entry Dims:** 12'-0" H x 8'-0" W  
10'-7" w/o Tongue  
14'-7" with Tongue

**Mast System:** Hydraulic Elevation  
Manual 360° Rotation  
Stop Points Every 10°

**Weight:** 8,800 lbs.

**Wind Rating:** 35 mph

### LED Display:

**Size:** 14'-9" X 7'-11"

**Resolution:** 728px x 390px

**Aspect Ratio:** ~16:9

**Technology:** 6mm SMD

**Luminance:** 6500 nits (direct sunlight)

**Viewing Angle:** 160° Maximum

**Ingress Rating:** IP67

### Electronics Package:

**Inputs:** HDMI  
DVI-D/DVI-A  
HDSI  
HD15 (VGA)  
Comp RGB/RGBHV

**Media Player:** Stills and/or Video

**Scaler:** HD or SD Signals  
TV or PC Resolutions  
Seamless Switching

*Contact us for more connectivity and transmission options including Sound and Wireless Video Links.*

### Shore Power Option:

**Service:** 30A Single Ø 125/250V

**Wiring:** L1 + L2 + Neutral + Ground

**Cabling:** Up to 150'

**Connectors:** 430P12W Pin & Sleeve  
30A L14-30 Twist-Lock  
30A 14-30 "Dryer Plug"  
50A 14-50 "RV /Stove"

### Generator Option:

**Configuration:** Fully Integrated

**Transfer:** Manual Switch

**Run Time:** 30 Hours (Typical)

**Fuel Capacity:** 20 Gallons

### Static Banner Areas:

**Side Wings:** 2' x 8' or 1' x 8' Config

*Coordinate your content formatting with us for ideal viewing.*



Control Point Technology

10 Lebanon Valley Parkway, Lebanon, PA 17042 | **ph:** 717.769.5358 | **fx:** 717.389.3333

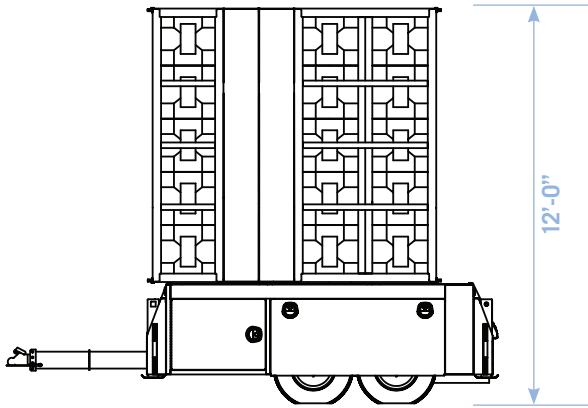
**web:** [www.control-point.com](http://www.control-point.com) | **email:** [solutions@control-point.com](mailto:solutions@control-point.com)



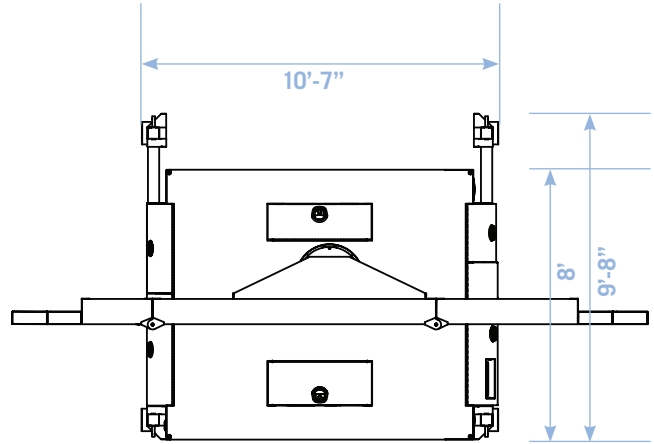


MOBILE LED VIDEO WALLS

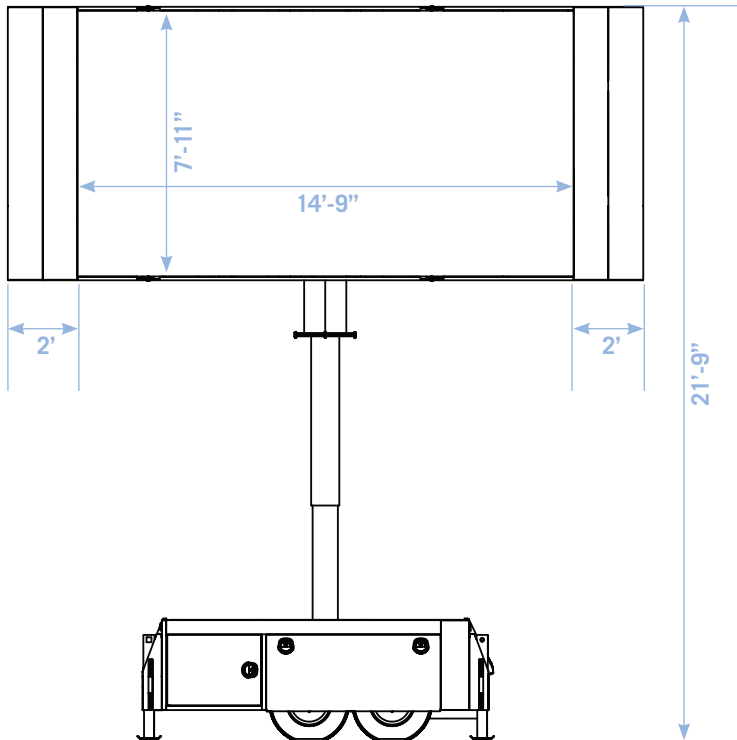
# 15' x 8' Mobile LED Video Walls DIMENSIONS



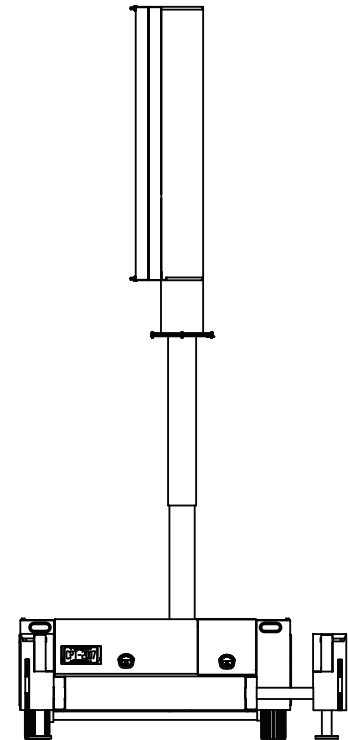
Entry Mode



Top View - Show Mode



Front View - Show Mode



Side View - Show Mode

